

PH361/362/371/372 1-2

Outside access

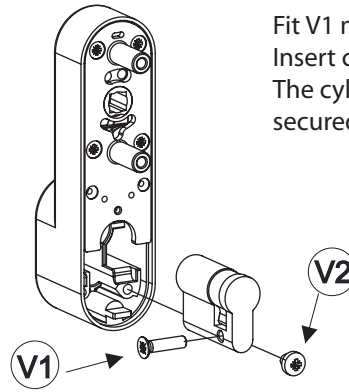


Installation Instructions (To be used in conjunction with appropriate Push Bar, Push Pad or Touch Bar instructions)

Fixing Part List

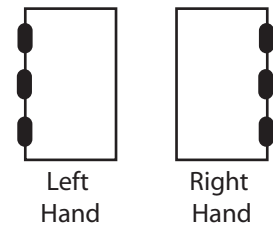
| | | |
|-----|--|------------|
| QM1 | | 1X |
| V5 | | (M5x95) 2X |
| V3 | | (M5x30) 1X |
| V1 | | (M5x20) 1X |
| V2 | | (M5x6) 1X |
| GR1 | | (M5x10) 1X |

Fitting Cylinder



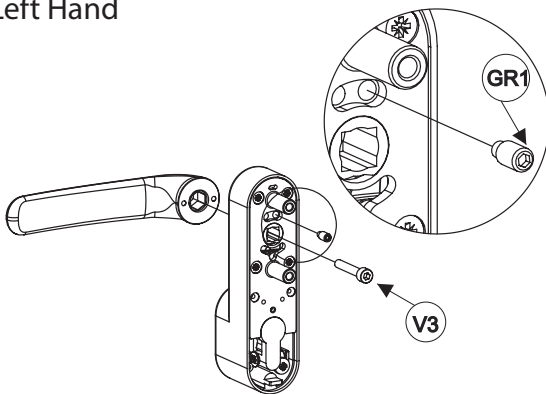
Fit V1 machine screw into cylinder body. Insert cylinder into rear of housing. The cylinder and V1 screw can now be secured with V2 pan head machine screw.

Door Handing (Inside Face)

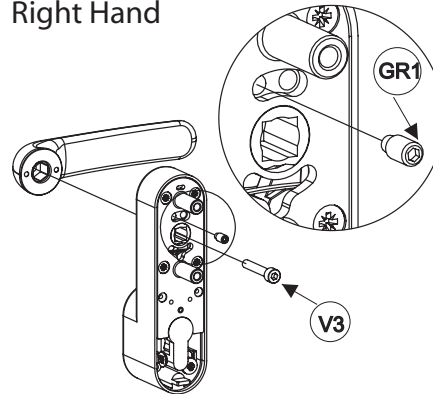


Handing the Lever

Left Hand



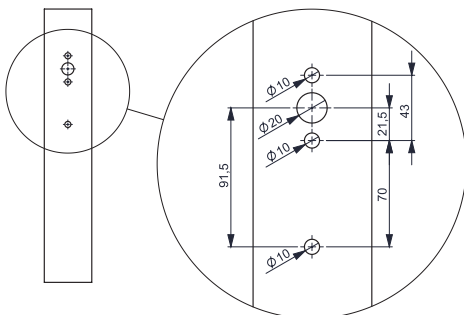
Right Hand



Using the diagram, left, secure lever to housing using V3 socket cap screw.

Fit GR1 grub screw into appropriate hole as shown left using 2.5mm allen key.

Door Preparation

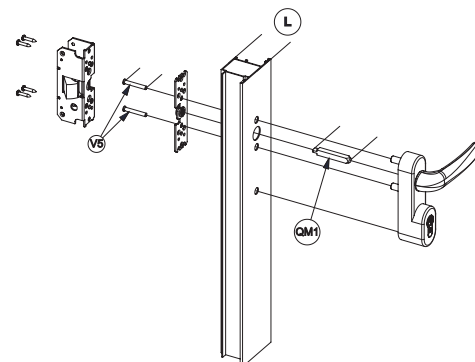


Ensure the internal escape devices central mechanism is correctly located.

Using the diagram above, drill 2 X 10mm holes at 43mm centres together with a 20mm hole for the spindle through the door.

To prevent rotation of the housing drill a 10mm hole 5mm deep at 91.5mm centre to the 20mm spindle hole to locate the boss at the bottom of the housing.

Spindle & V5 securing screw adjustment



Measure the door lock stile thickness (L in diagram above). Then adjust spindle (QM1) length and V5 machine screw using following formula:

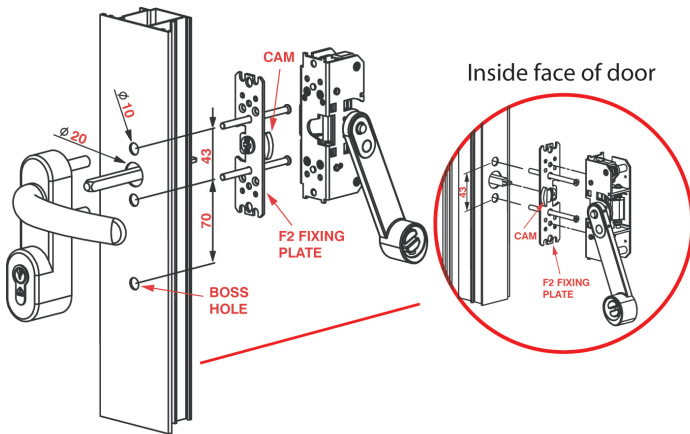
Spindle Length = L + 13mm

V5 machine screw = L - 10mm

TRIM SPINDLE AT THE SQUARE END ONLY

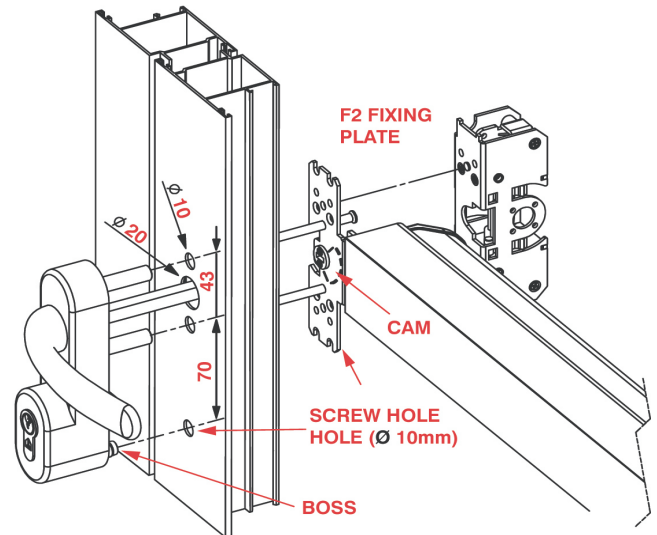


Push Bar or Push Pad



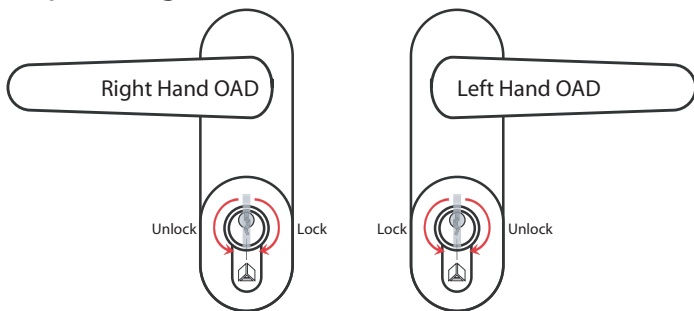
Fit outside access device to external face of door.
 Insert square end of spindle (QM1) into outside access device ensuring the machined flat end is horizontal.
 Locate (F2) fixing plate onto spindle ensuring the cam is positioned as shown above.
 Secure with 2 X (V5) machine screw.
 Locate internal escape device mechanism on to (F2) fixing plate and secure as per the escape device instructions.

Touch Bar



Fit outside access device to external face of door.
 Insert square end of spindle (QM1) into outside access device ensuring the machined flat end is horizontal.
 The (F2) fixing plate is built into the touch bar range cross bar.
 Locate (F2) fixing plate onto spindle ensuring the cam is positioned as shown above.
 Secure with 2 X (V5) machine screw.
 Secure Touchbar as per escape device instructions.

Operating Instructions - Standard Version



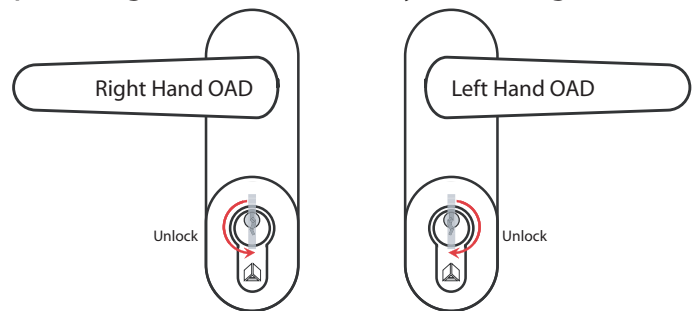
Outside Access Device - Standard Version
 PH361-01, PH362-01, PH371-01, PH372-01

Standard version allows a key holder to lock or unlock the outside access device (OAD) to allow entry from the outside. Escape from the inside is possible at all times. When locked the lever / knob is rigid. Insert key and turn to 12 o'clock position as follows

| | | |
|--------|----------------|----------------|
| | Lock | Unlock |
| LH OAD | Anti-clockwise | Clockwise |
| RH OAD | Clockwise | Anti-clockwise |

Return Key to original position and remove.
 When unlocked the lever / knob can be turned to operate the internal escape device.
 Once unlocked the OAD will remain operable until relocked by key.

Operating Instructions - Key retaining version



Outside Access Device - Key Retaining Version
 PH361-02, PH362-02, PH371-02, PH372-02

Key retaining version requires the key to be used every time entry is required by preventing the key from being withdrawn from the cylinder until returned to lock position. The device requires two handed operation, one to turn the key and one to turn the lever/knob. Escape from the inside is possible at all time. When locked the lever / knob is rigid. Insert key and turn to 12 o'clock position as detailed below and hold.

| | |
|--------|-----------------------|
| LH OAD | Unlock Clockwise |
| RH OAD | Unlock Anti-clockwise |

With your other hand turn the lever / knob to operate the inside escape device. Pull open the door and before entering return the key to the original position and remove.