

# alpro

## High Security Motorised Lock

### YG80



The YG80 (Orca) is a high-security, motor-driven locking solution for roller doors, gates, cargo containers, and oversized industrial doors. Engineered for reliability in harsh environments, the YG80 offers exceptional holding force, IP67 weather protection, and full monitoring integration with access-control systems.

#### High Security

- Concealed mounting bolts with tamper detection
- Holding force exceeding UL1034 high-security standard

#### Environmental Resilience:

- IP67 ingress protection
- E-coated aluminium body
- Optional heater for sub-zero climates

#### Monitoring & Control

- Bolt position (locked/unlocked)
- Door position
- Tamper detection
- Fail-Safe or Fail-Secure selectable

#### Flexible Mounting

- Horizontal or vertical downwards (only)
- Indoor or outdoor locations
- 3m weather-sealed flying cable

Do not mount it vertically firing up.

#### Bluetooth Function (Simplified)

- Lets you lock/unlock via the BQT Connect app
- Works only within Bluetooth range
- No keypad, relay, or wired controller needed
- Your phone acts as the key

#### Operation

- Tap Unlock → bolt retracts
- Tap Lock → bolt extends (when door is closed)
- Requires Toggle or Twin-wire mode

#### Electrical Parameter

Voltage: 12-24VDC ±15%

Standby Current: 40 mA @ 12V/30 mA @ 24V

Activating Current: 1.0A @ 12V/0.5A @ 24V

Heater Current: Up to 2.0A @ 24VDC

Monitor Switch Rating: 24VDC, 0.5A

#### Environmental Parameter Rating

Operating Temperature: -35 °C (EN 60068-2-1:2008) to +70 °C (EN 60068-2-2:2008)

Corrosion Resistance: Grade 4 (EN 1670:2007)

## Ordering Information

### Description

YG80 Orca Lock and Strike Plate  
YG80 Orca Lock and Strike Plate Bluetooth Version

### Code

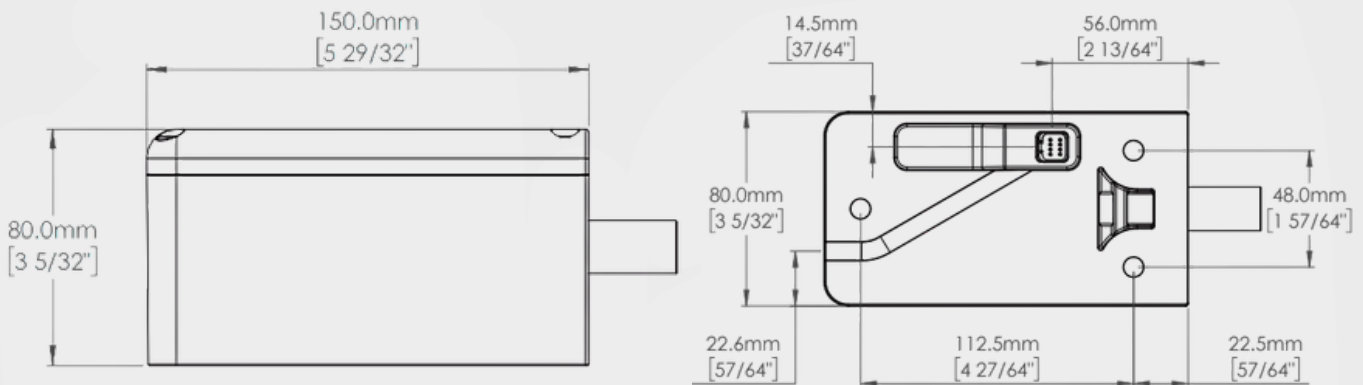
YG80  
YG80-B

### Compliance

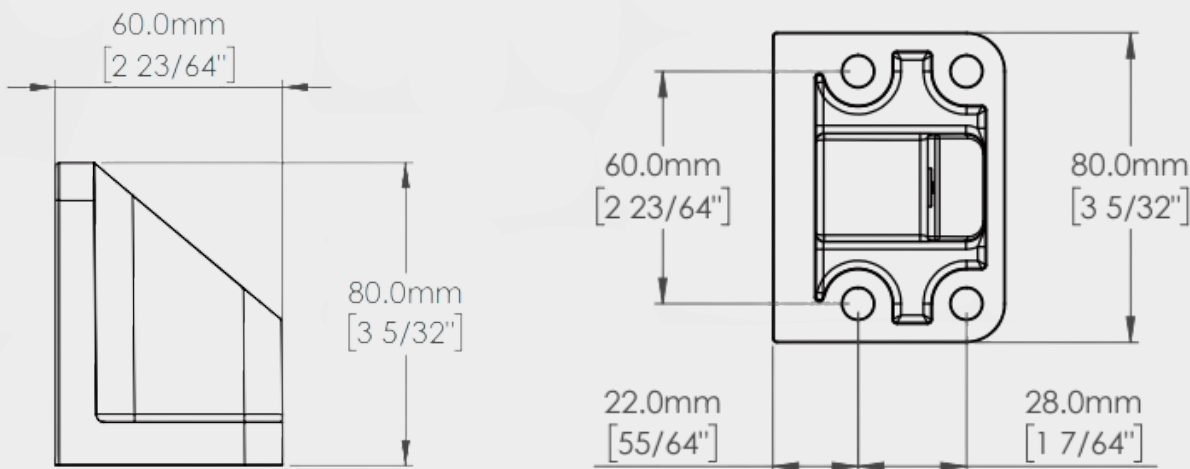
CE compliant  
RoHS 2 compliant  
FCC CFR 47 Part 15/ISEO  
UL1034 high-security electric lock requirements  
IP67 Environmental certification

Neoprene gasket included for thermal isolation.  
Mounting bolts not supplied — installer selects based on substrate.  
Ensure alignment between bolt and strike for full extension.

## Lock Dimensions



## Strike Dimensions



All dimensions are shown in mm.