

alpro

ANSI Electric Strike

EL900

NEW



The Alpro EL900 is a compact electric strike for use in metal or timber applications.

Accessories

Long and short ANSI stainless steel faceplates supplied as standard
25mm extension supplied as standard
Mounting Kit supplied as standard

Construction

Compact body design - 35mm depth

Dual Voltage

12/24VDC Selectable

Function

Innovative function change over from fail secure (PTO)/fail safe (PTL)

Electrical Features

Low current consumption

Technical Information

Power consumption and current draw
12VDC - 250mA
24VDC - 125mA

The EL900 can be used in either fail safe (PTL) or fail secure (PTO) mode. Controlled simply by the screw positioning in either hole as per the illustration and either function can be achieved.

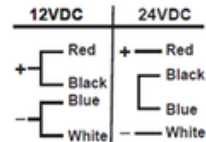
Retain the screw for future use (PTO).

Compliance

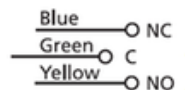
- Electromagnetic Compatibility - Directive 2014/30/EU
- Restriction of the Use of certain Hazardous Substances in Electrical and Electronic Equipment (RoHS) Directive 2011/65/EU

Wiring

Power consumption
and current draw
12VDC - 250mA
24V DC-125mA



Monitoring



3 YEAR GUARANTEE

ANSI Electric Strike - EL900

Ordering Information

Description

Dual voltage ANSI complete with SS Short/Long Faceplate and 25mm Extension Lip

Dual voltage ANSI monitored complete with SS Short/Long Faceplate and 25mm Extension Lip

Alpro 25mm Extension Lip to suit EL900 series

Alpro 50mm Extension Lip to suit EL900 series

Code

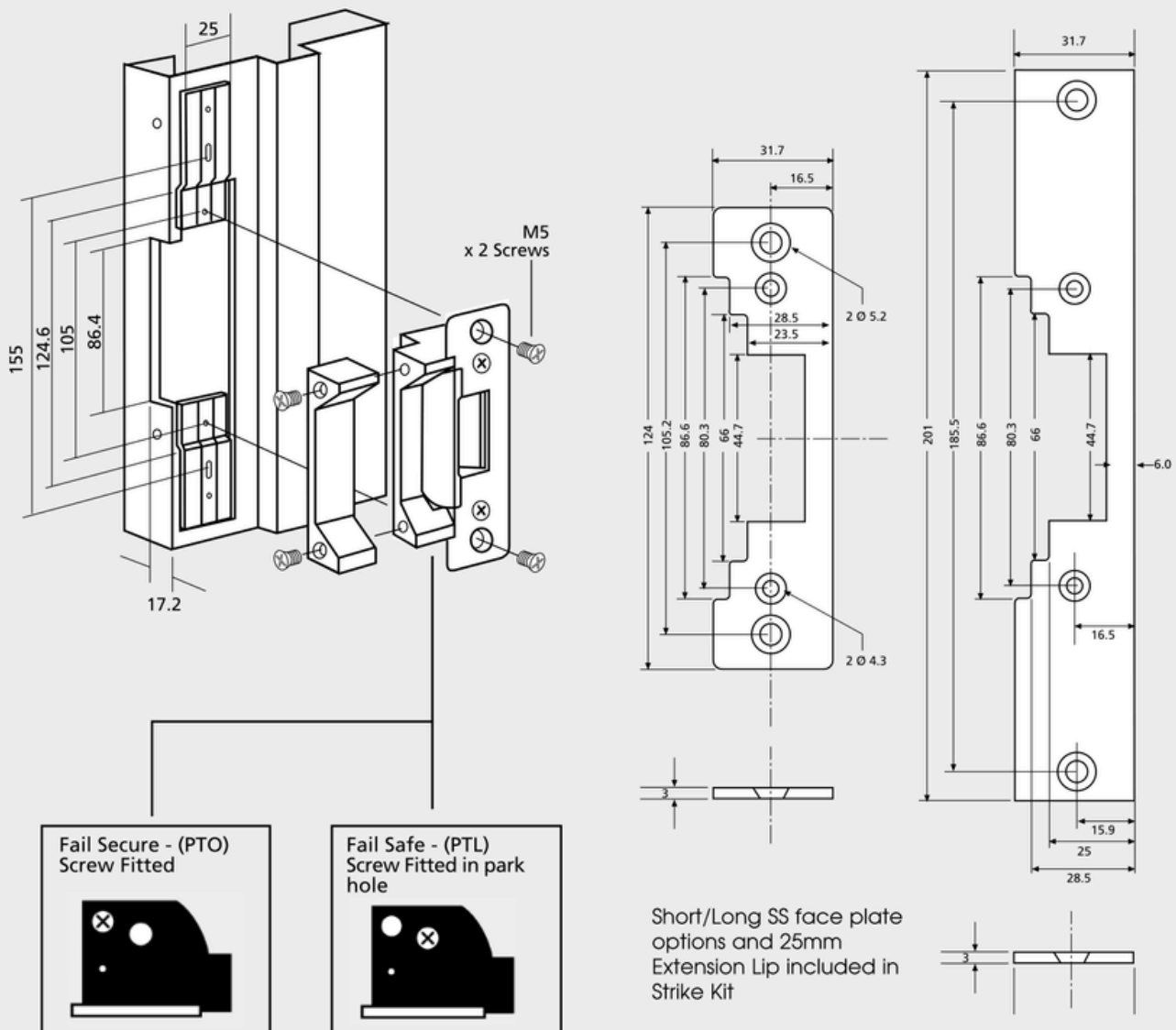
EL900-DV

EL900M-DV

EL900-EXT25

EL900-EXT50

The EL900 strikes are dual voltage and the function is easily interchangeable. These strikes are set to Fail Safe/PTL as standard.



All dimensions are shown in mm.