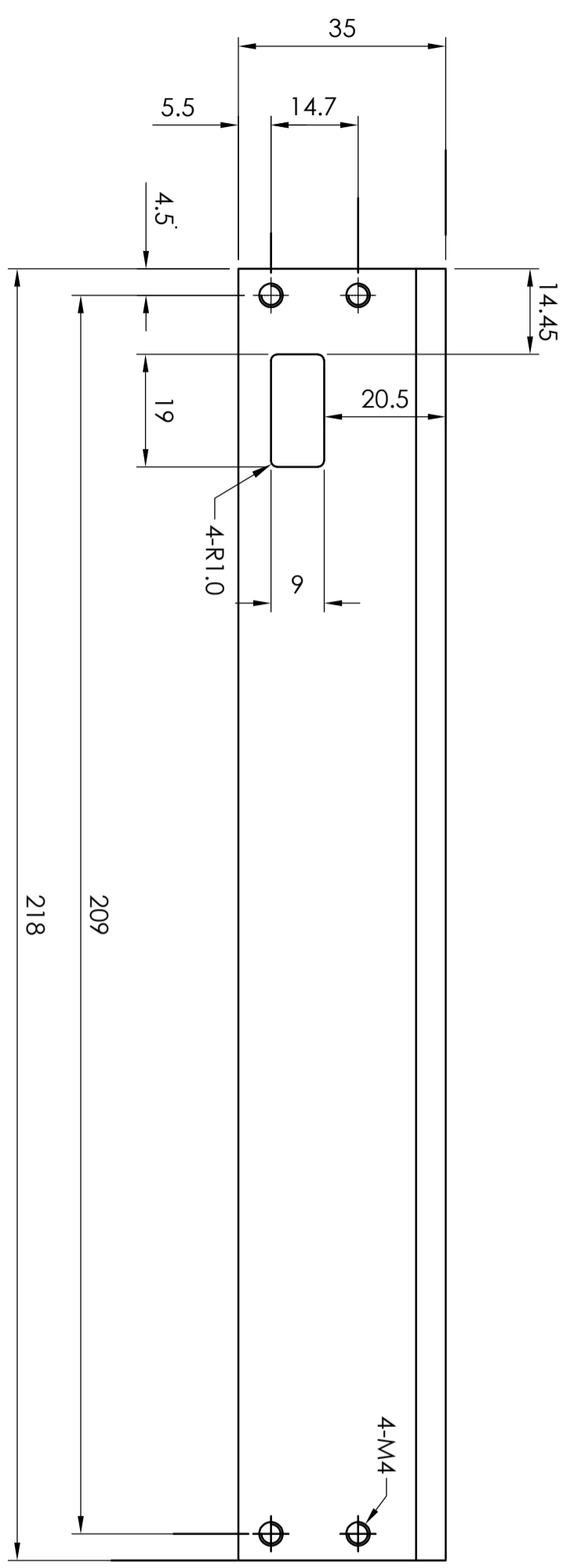
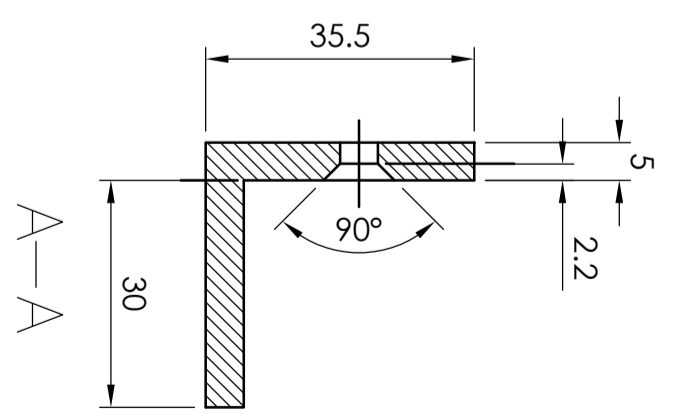
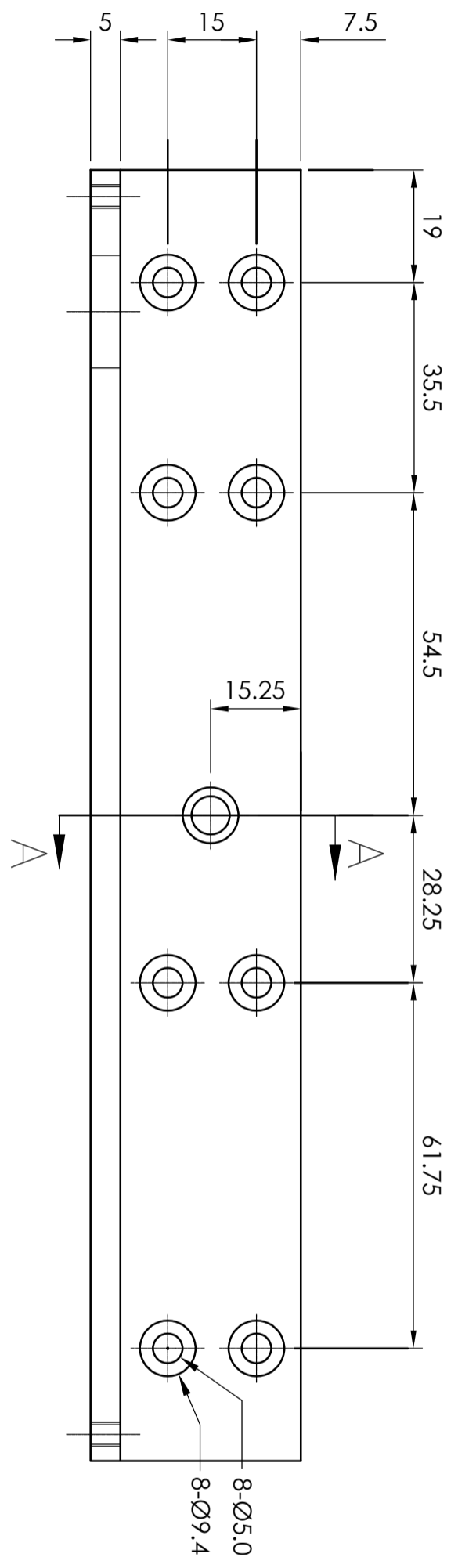


THIRD ANGLE PROJECTION



RevNo	Revision note	Date	Signature	Checked
-------	---------------	------	-----------	---------

Itemref	Quantity	Title/Name, designation, material, dimension etc	Article No./Reference
Designed by IRG	Checked by	Approved by - date	Date 03/02/20
File name			Scale 1:1

alpro

A DIVISION OF:-
INTERNATIONAL ENGINEERING COMPANY LTD,
HARWELL ROAD, NUFFIELD ESTATE
POOLE BH17 0BD TEL. 01202 674272
FAX. 01202 680101. INFO@IECLTD.CO.UK
WWW.IECLTD.CO.UK

L - BRACKET

ALAMLB24.00

Issue A

Sheet 1/1

